

PS 254

Grid 2,54
 Spring travel 10,00 mm

Technical Data

Minimum grid distance:	2,54 mm
Maximum spring travel:	10,00 mm
Recommended lifting height:	80%
Spring force at 4/5 spring travel:	0,6 N
E-value (collar height) defines the installation height	2 mm
Rated current:	1-2 A
Contact resistance:	30 mΩ
Pin housing:	Brass, gold-plated
Barrel:	Brass, gold-plated
Spring:	Steel, gold-plated
Piston:	Steel, rhodium- or gold-plated

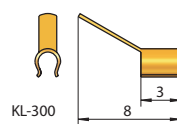
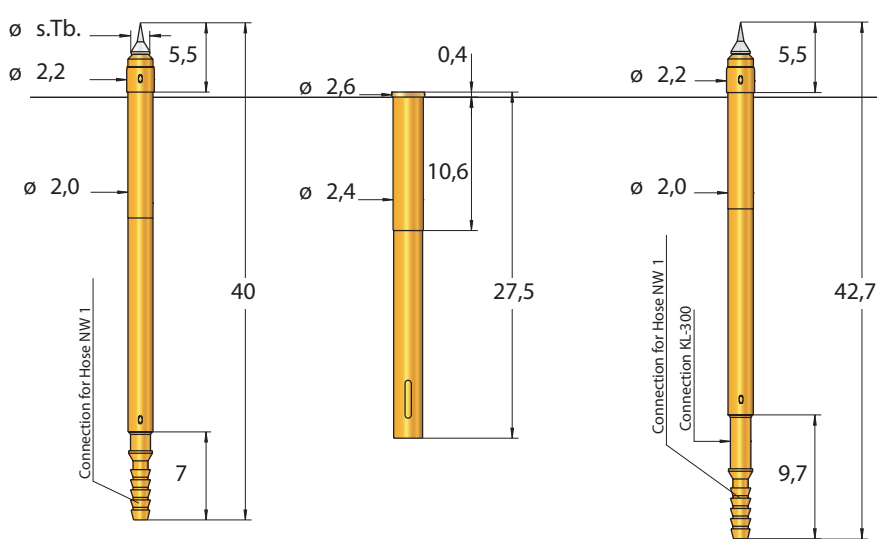


Figure	Type	\varnothing (mm)	Electro- plating
	SR	1,50	R
	KR	1,30	R
	RI	1,00	A
	LA	1,00	A

Alternative Head shapes are available.

Sample Order:

Series	Head Shape	\varnothing Head	Electroplating	Lifting Height	Spring Pin	Collar Height
FS 254	FL	20	A	50	15	10

